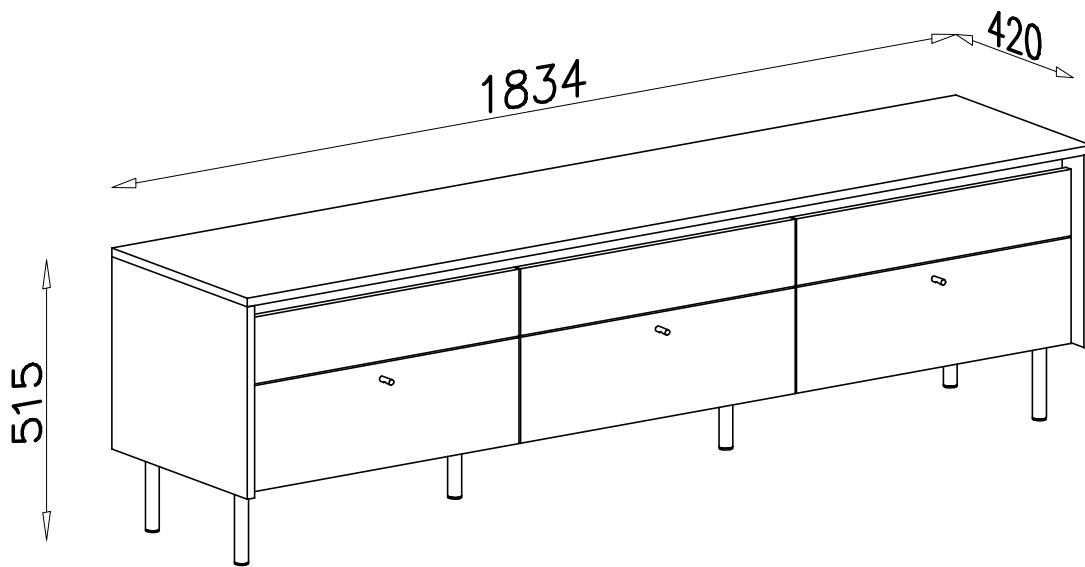
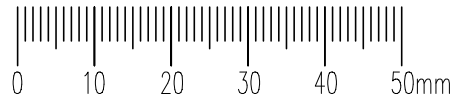
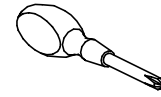
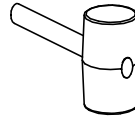
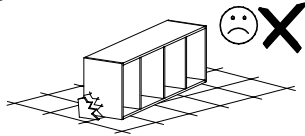
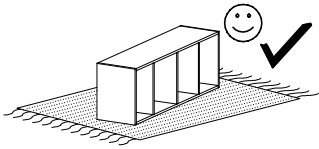
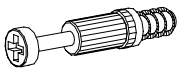

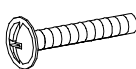






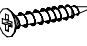
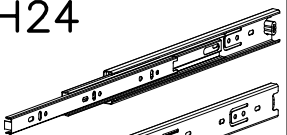


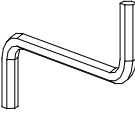

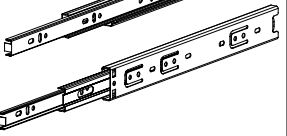
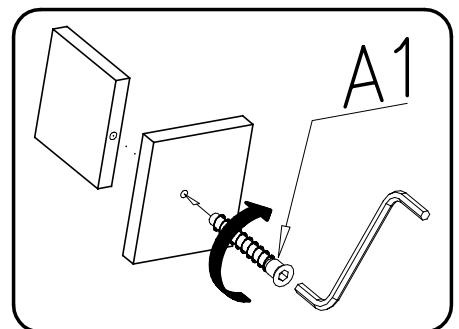
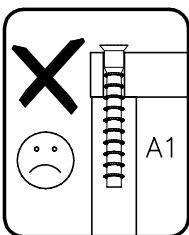
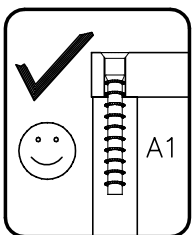
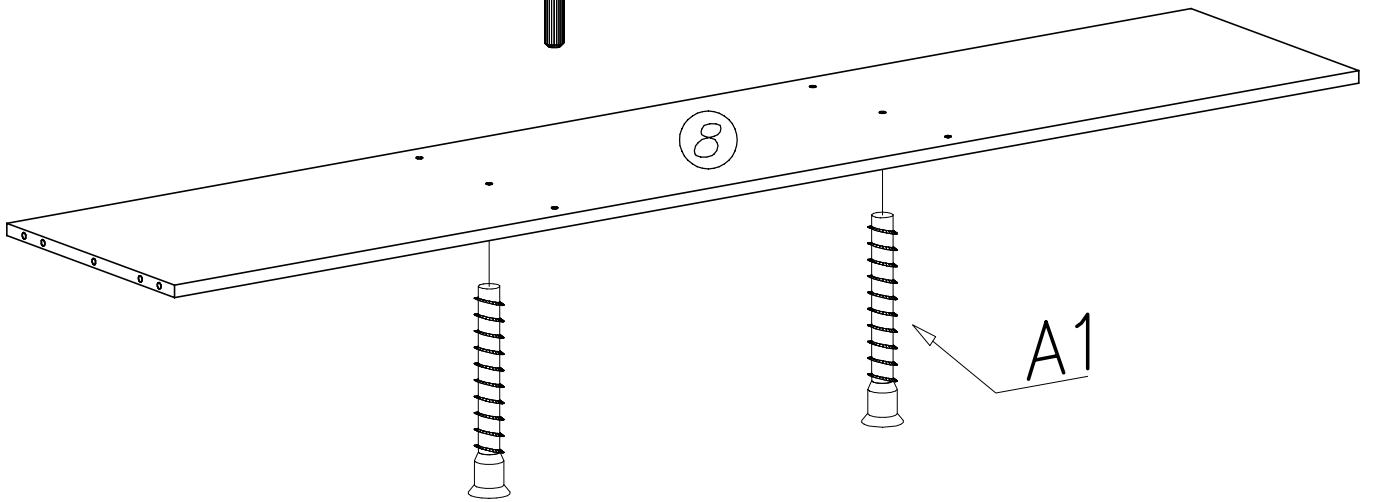
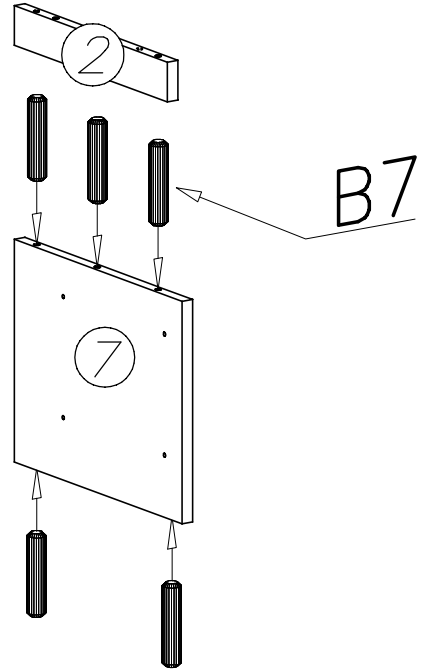
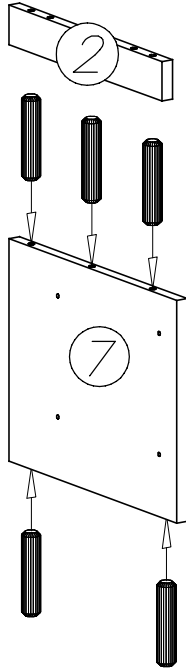
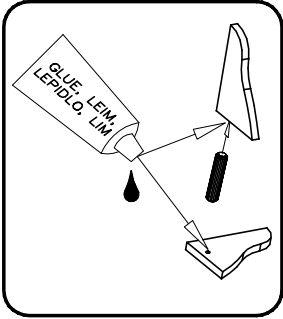
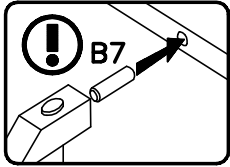


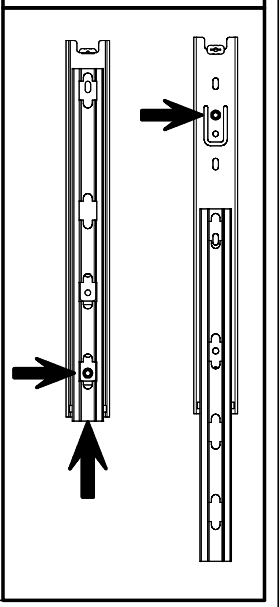
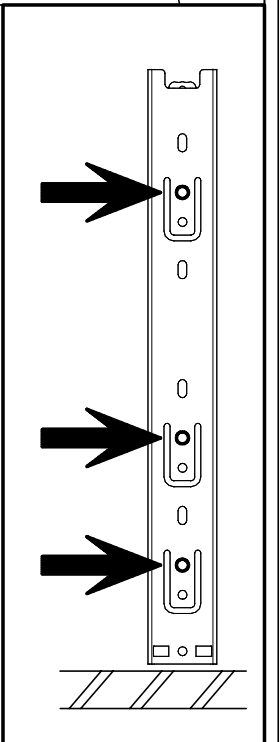
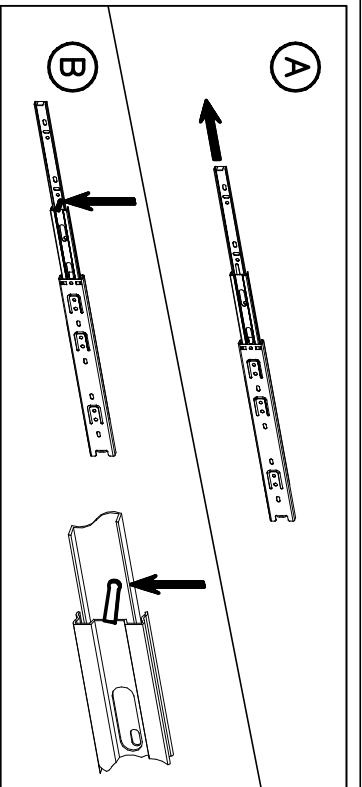
MALTA MA 8



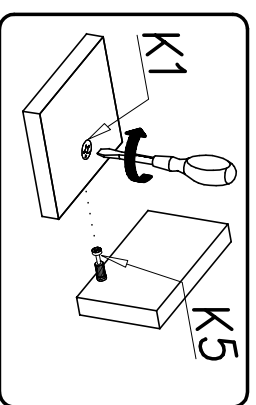
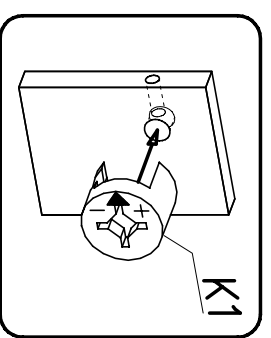
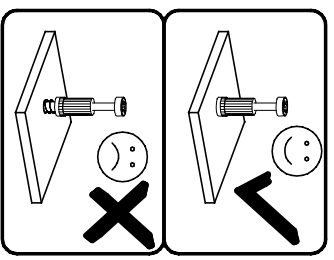
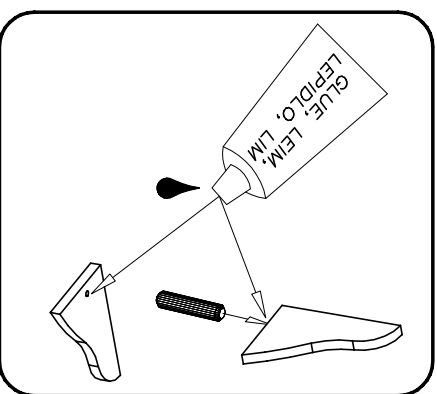
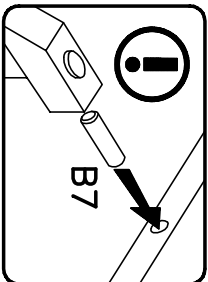
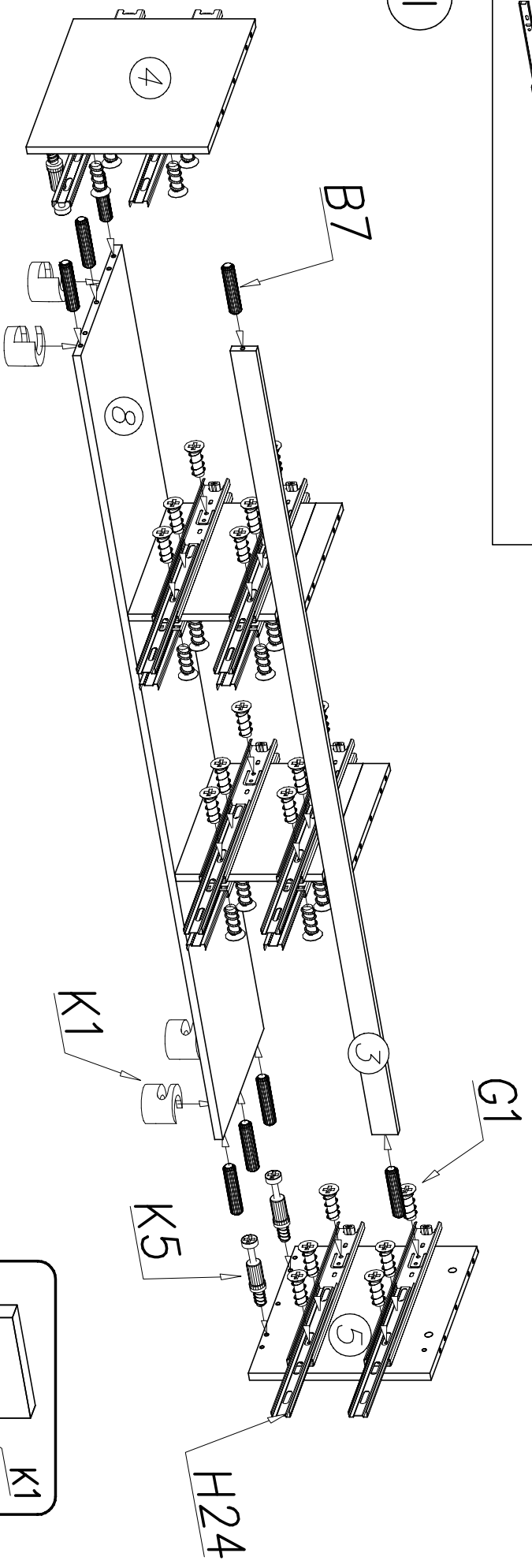
K5  x16	K1  x16			
N13  M4x22 x3	W1  GLUE, LEIM, LEPIDLO, LIM x4	I7  Ø18 x16	P6  x6	S9  x6
E13  x3	G4  4x16 x18	G2  3x20 x60		H24  x6
A1  Ø7x50 x2	B7  Ø8x30 x78	W2  x1	G1  4x13 x60	350mm  x6

1

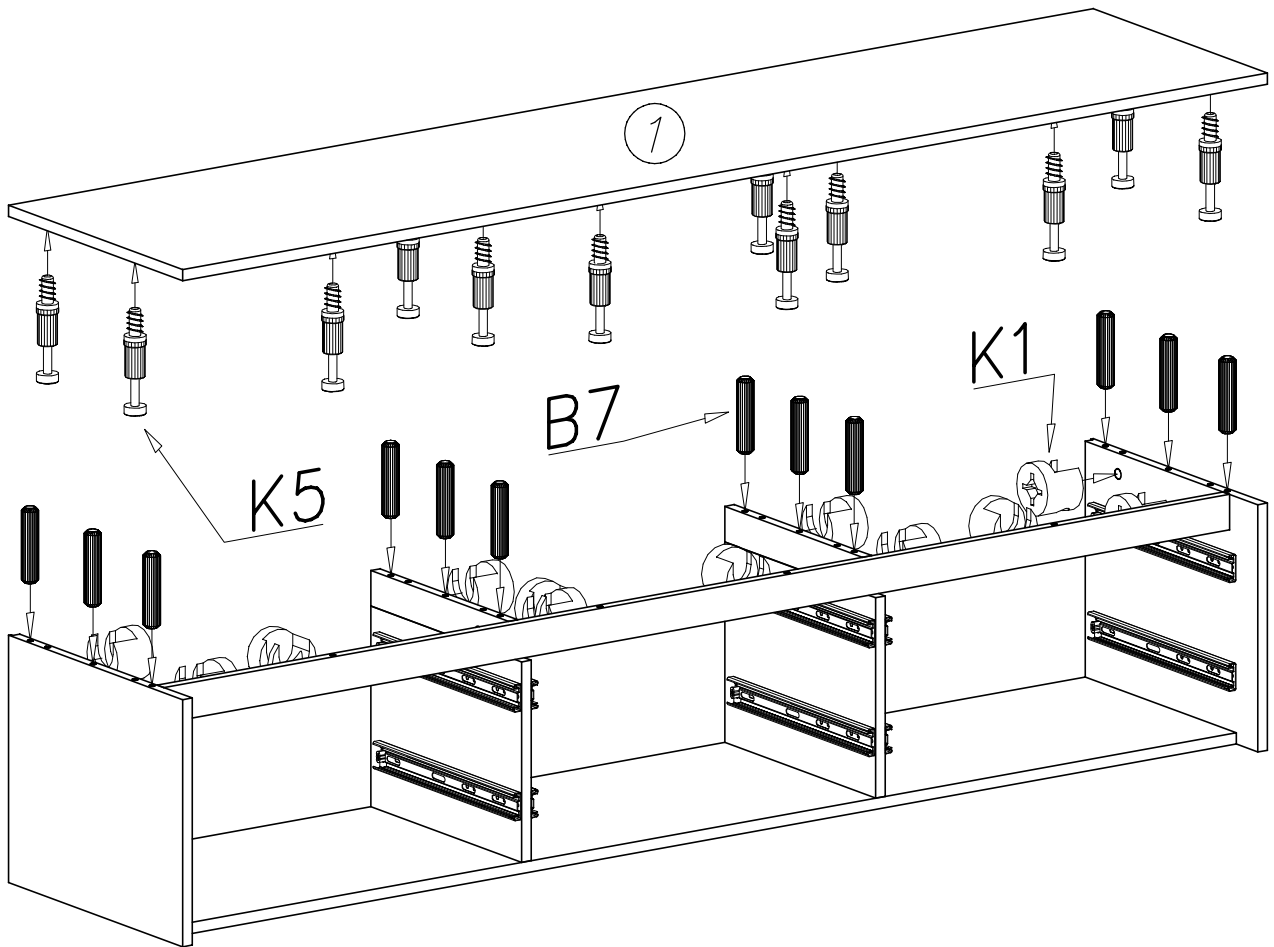
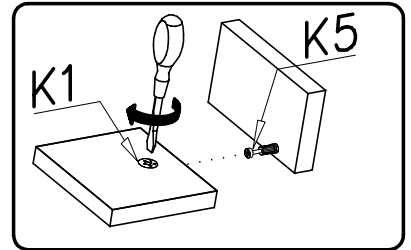
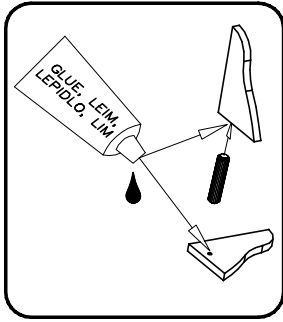
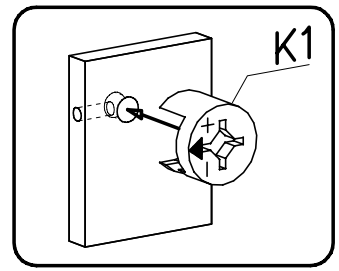
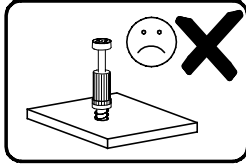
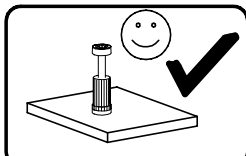
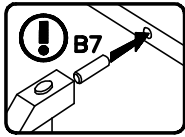


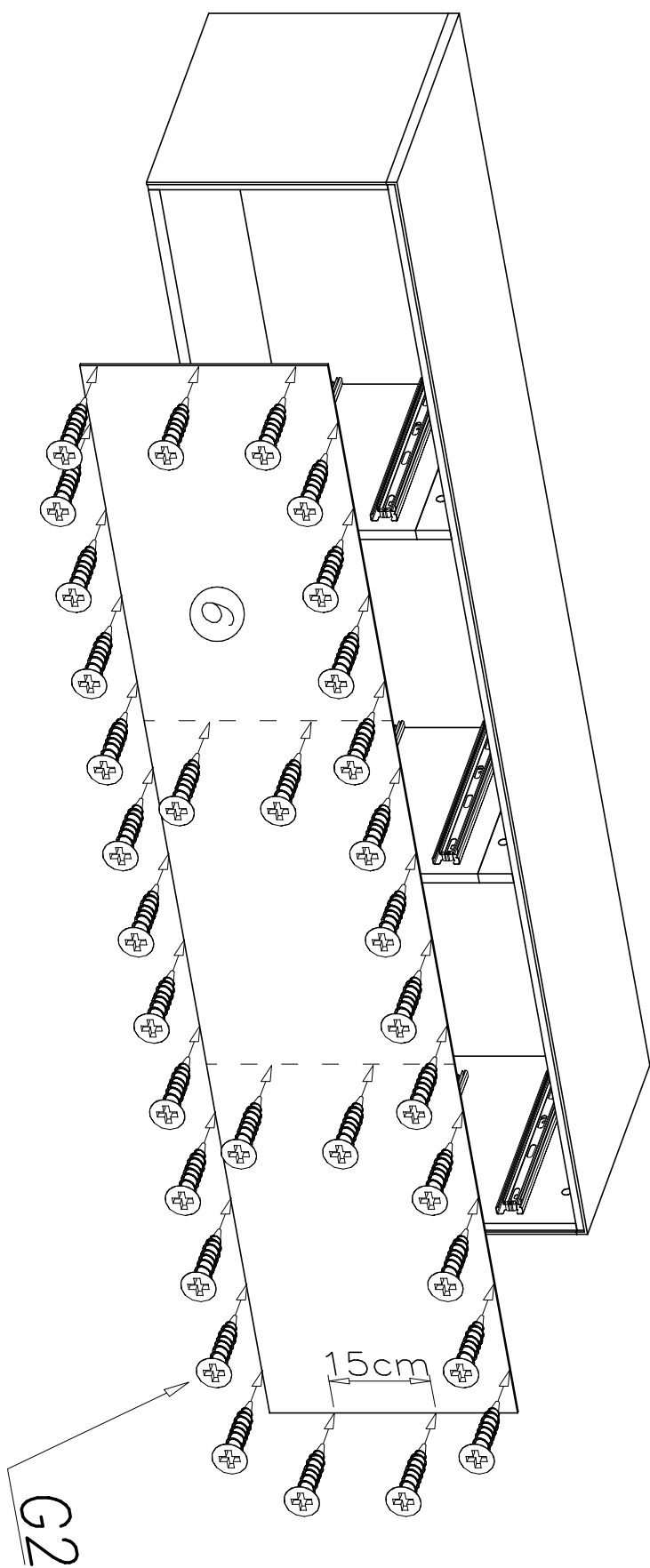
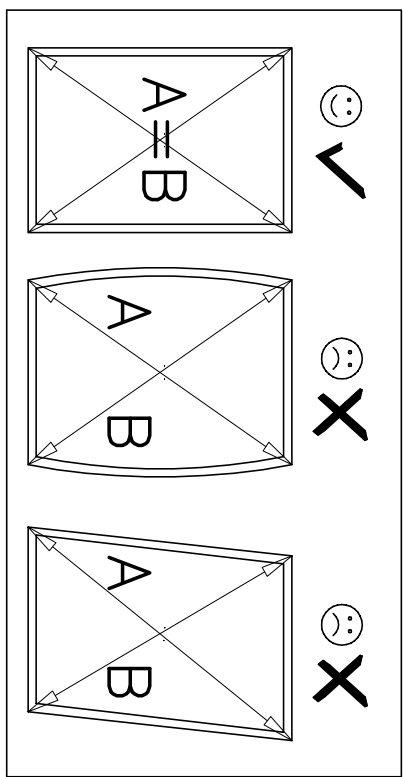


11

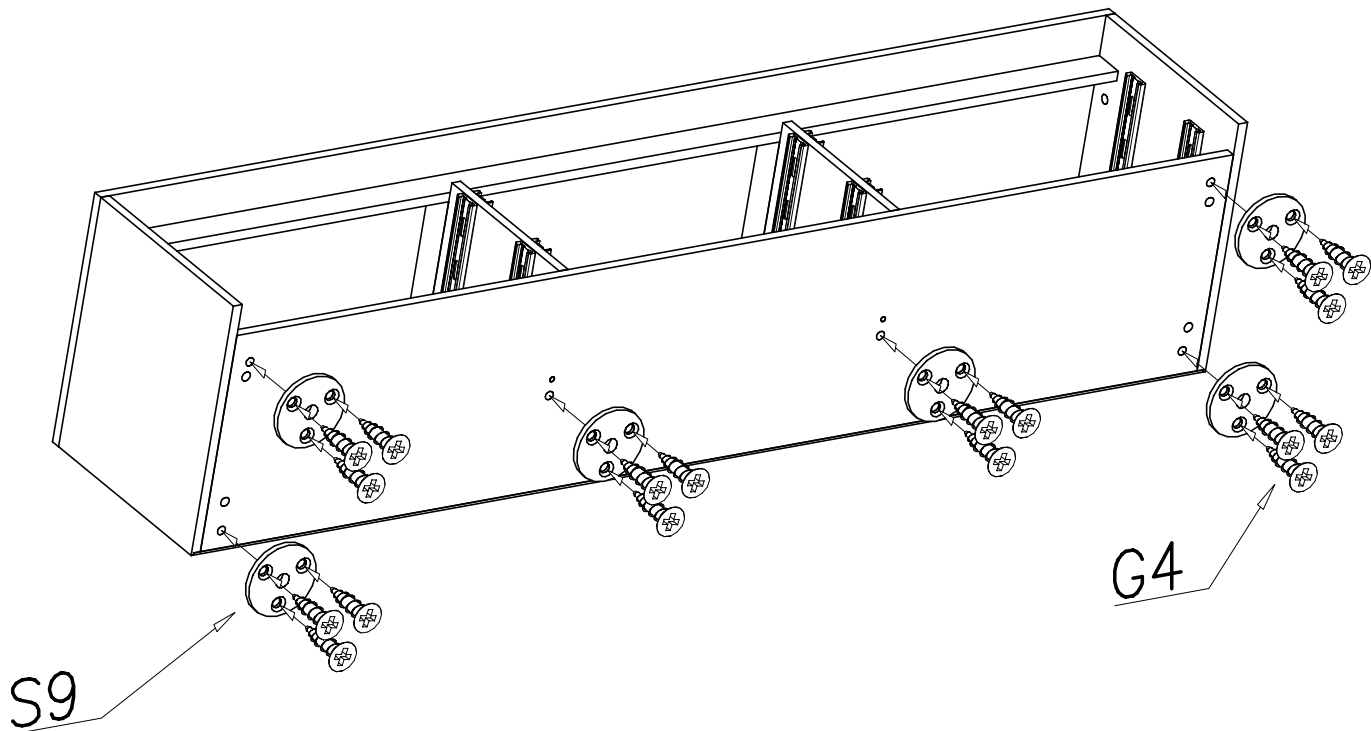


III

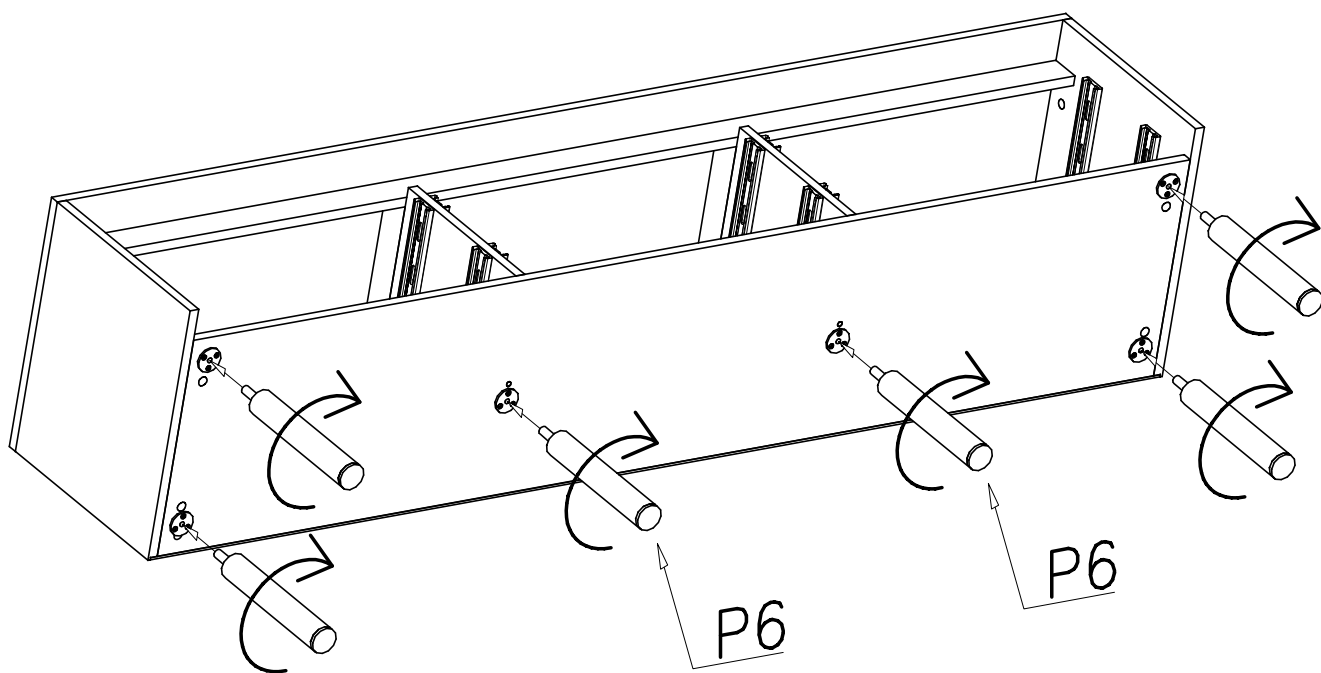




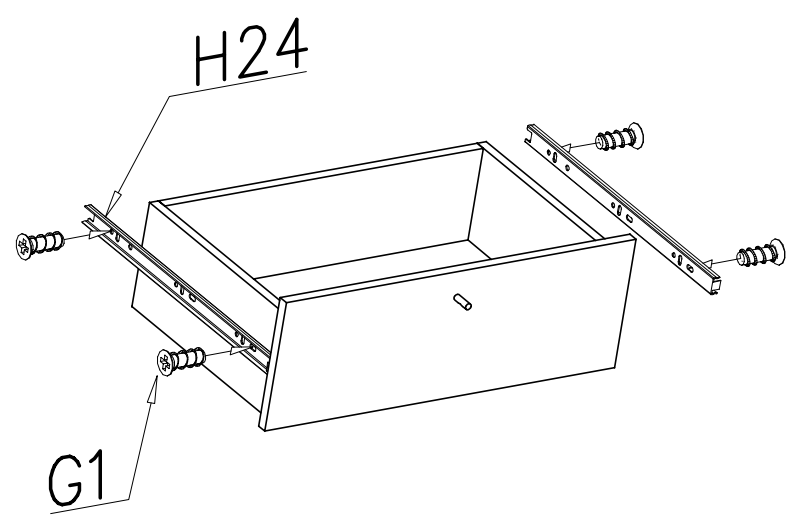
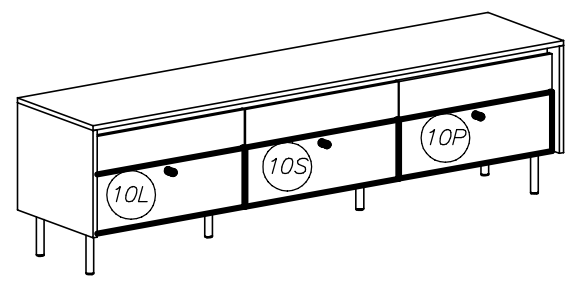
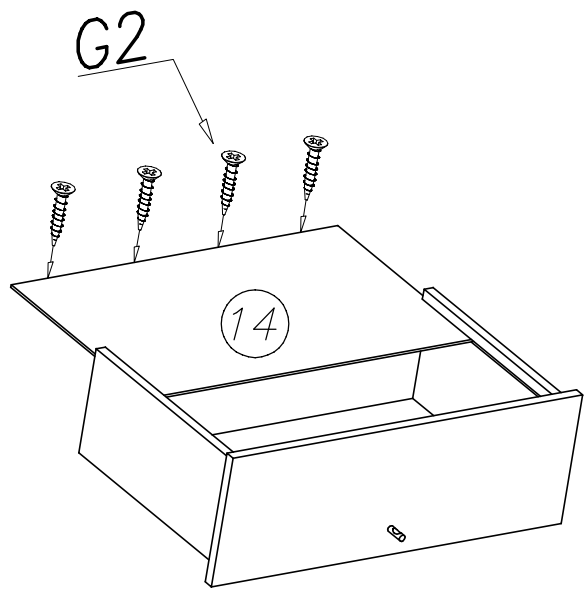
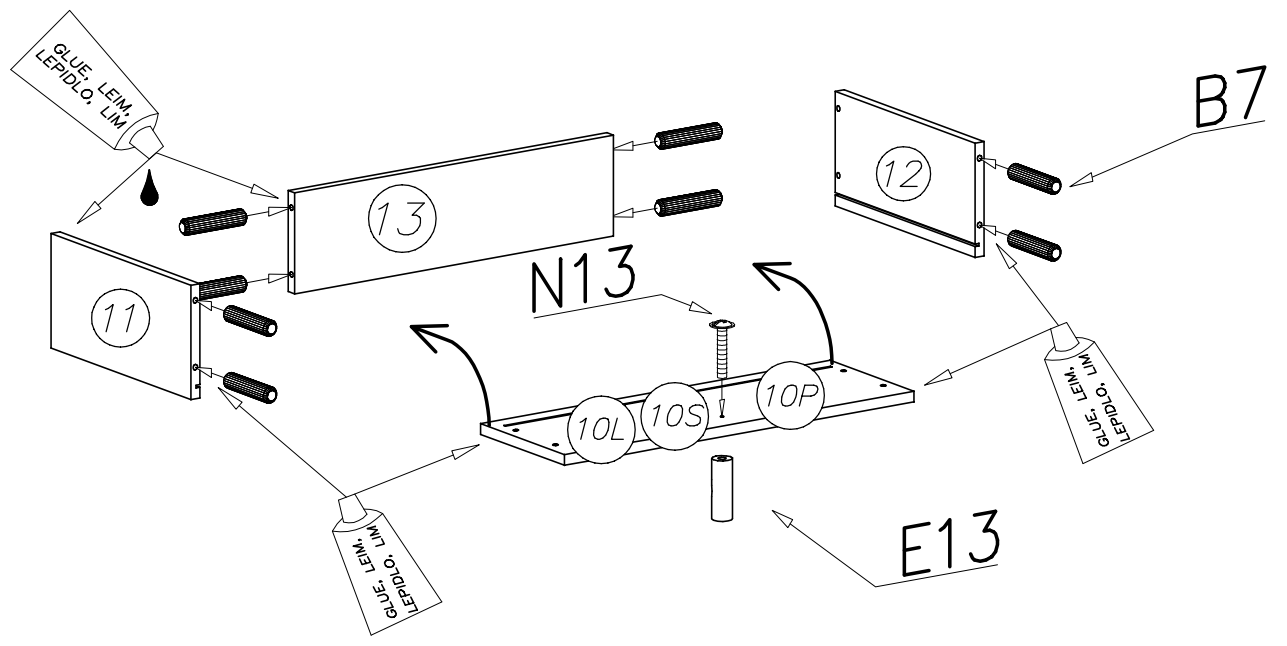
V



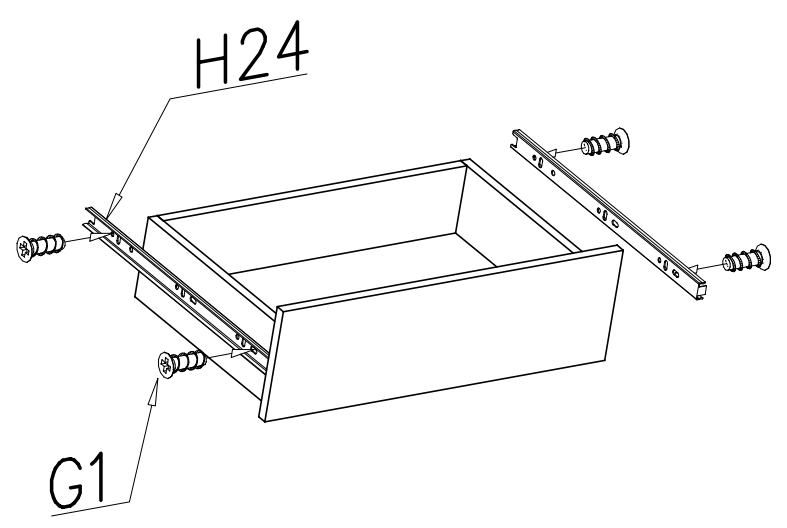
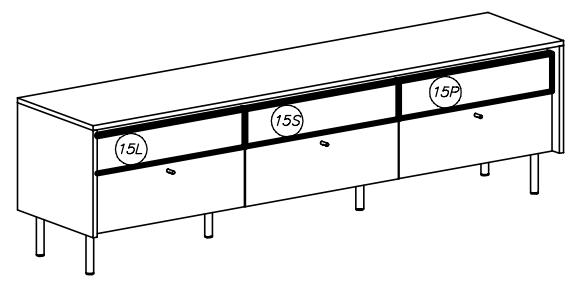
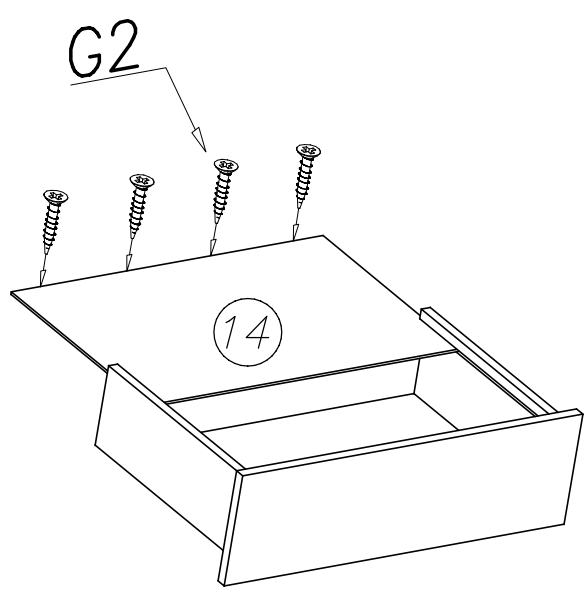
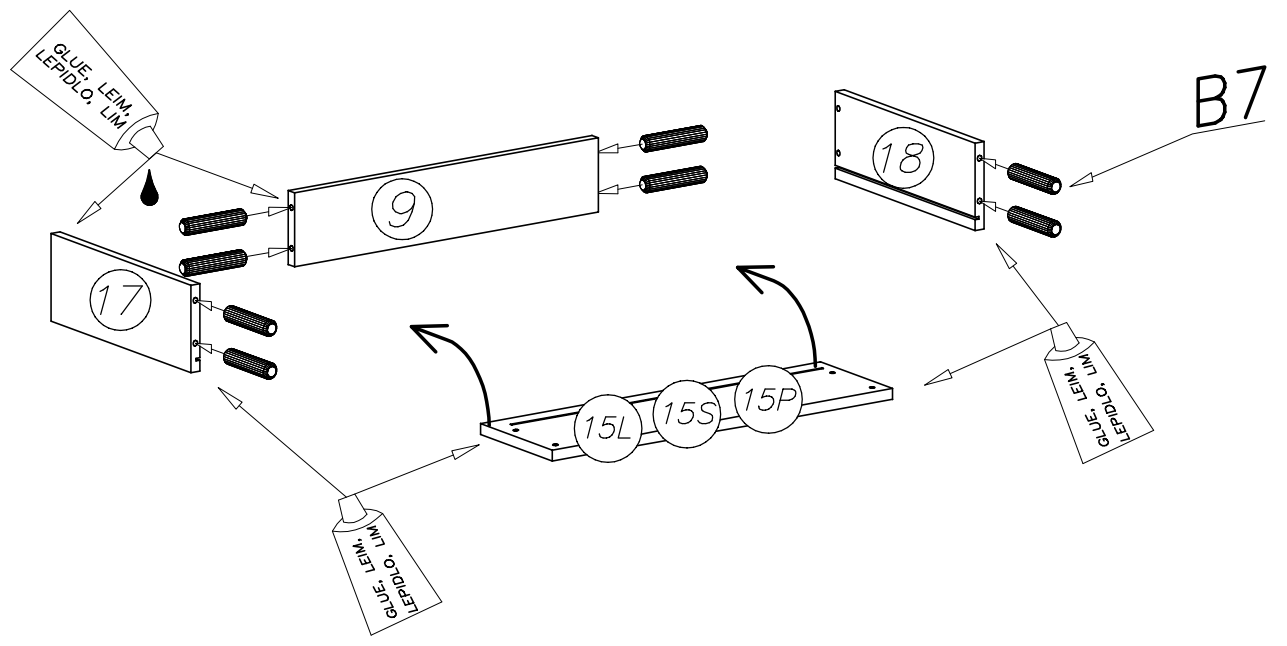
VI



VII



VIII



IX

